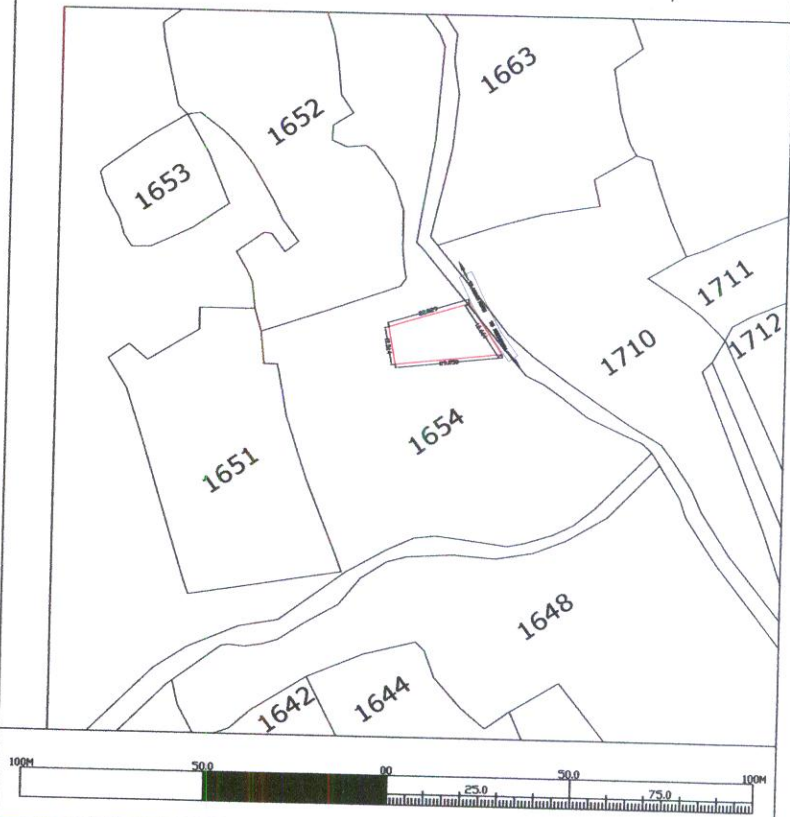
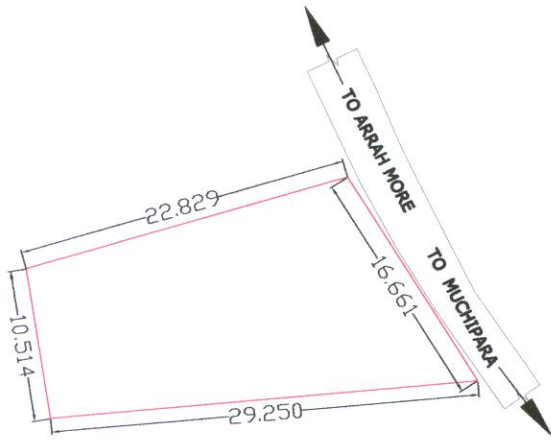


**SKETCH MAP SHOWN BOUNDED BY RED COLOUR
 MEASURING THE LAND AREA 8 DECIMEL MORE OR LESS
 OVER R.S. PLOT NO. 1654(P), L.R. PLOT NO. 2425/3280,
 L.R. KHATION NO. 1673, 1559 OF MOUZA - ARRHA, J.L. NO.
 91 P.S. KANKSA(DURGAPUR) , DIST. PASCHIM BARDHAMAN.**

LAND OWNER :- NEMAI CHANDRA BHATTCHRIYA, DULALI SUR.



| LATITUDE - | LONGITUDE - |
|--------------------|---------------------|
| N - 23°31' 9.4448" | E - 87°21' 57.1529" |
| N - 23°31' 9.6666" | E - 87°21' 57.9212" |
| N - 23°31' 9.214" | E - 87°21' 58.2441" |
| N - 23°31' 9.1083" | E - 87°21' 57.2191" |



BUILD MARK